



**SAFFA**

**COMPETITION  
&  
FISHING  
RULES  
2023**



## CONTENTS:

SECTION	DESCRIPTION	PAGE
1.	INTRODUCTION	4
2.	GENERAL INFORMATION	4
3	APPLICATIONS FOR CHAMPIONSHIPS AND THEIR AUTHORISATION	5
4	CHAMPIONSHIP PROTOCOL	5
5.	MEMBER PROVINCE CHAMPIONSHIPS	6
6.	ORGANISATION OF CHAMPIONSHIPS	6
7.	COMPETITION RULES AND MODIFICATIONS	7
8.	MEDICAL AND INSURANCE COVER	7
9.	BANK FISHING COMPETITIONS	7
10	BOAT FISHING COMPETITIONS	9
11	DURATION OF EVENTS, AND SCORING AND PRACTICE SESSIONS	9
12	WHO MAY PARTICIPATE	10
13	TEAM REQUIREMENTS	11
14	OBLIGATIONS OF COMPETITORS	11
15	TEAM CAPTAINS	12
16	JURY	13
17	DUTIES, RESPONSIBILITIES AND POWERS OF THE JURY	13
18.	SECTOR JUDGES	14
19	DUTIES AND RESPONSIBILITIES OF SECTOR JUDGES.	14
20	CONTROLLERS	15
21	RANDOM DRAW FOR BEATS AND BOATS.	16



22	CARE OF FISH CAUGHT	17
23	COMPETITION BOATS	17
24	ELIGIBLE FISH	17
25	COMPETITION FLY RODS	18
26	COMPETITION FLY LINES	18
27	COMPETITION LEADERS	19
28	COMPETITION FLIES	19
29	LANDING NETS	20
30	PROHIBITIONS	21
31	LOST FISH	21
32	AWARDING OF POINTS	22
33	SESSION PLACINGS	22
34	TEAM AND INDIVIDUAL POSITIONS	22
35	POSTING OF RESULTS	23
36	POSTED RESULTS AND OBJECTIONS	23
37	FORMAL PROTESTS	24
38	TITLES AND TROPHIES	24
39	ANTI-DOPING REGULATIONS	25
40	LANGUAGE OF THE ORIGINAL TEXT	25
41	STATEMENT OF APPROVAL	26



## **1. INTRODUCTION**

- 1.1.** Sport fishing is angling with rod and line, by amateur anglers, for no financial reward.
- 1.2.** Competition sport fishing is angling among competitors, who are observing a standard, approved set of rules, for no financial reward.
- 1.3.** Competition sport fly fishing is angling with a conventional fly rod, fly line, fly reel and artificial flies among competitors who are observing a standard, approved set of rules, for no financial reward.
- 1.4.** Competition sport fly fishing is a doping-free sport in order to promote health, fairness and equality for all competitors worldwide.

## **2. GENERAL INFORMATION**

- 2.1.** Competitions may be organized for competitors of either sex, competing together or separately
- 2.2.** Competitions may take place on running or still water
- 2.3.** Competitions may be organized for different age groups as follows:
  - 2.3.1.** SENIORS - Over 18 at any point during the year of the competition
  - 2.3.2.** YOUTH - Ages 10-18 at any point during the year of the competition
  - 2.3.3.** MASTERS - Over 50 at any point during the year of the competition
  - 2.3.4.** LADIES - Female over 18 at any point during the year of competition
- 2.4.** These Competition Rules apply equally to all categories, and to Provincial as well as National Championships, except when otherwise specified within these rules or changed in Rule Modifications (see Article 7.1).
- 2.5.** For convenience, the words "he" and "his" are used throughout this document to include the words "she" and "her" respectively.



### **3. APPLICATIONS FOR CHAMPIONSHIPS AND THEIR AUTHORISATION**

- 3.1.** Each Member Association of SAFFA shall, on a rotational basis as determined at the SAFFA Annual General Meeting, host and organize the Annual National Championship Competition. The hosting member shall present a written application to the SAFFA Executive Committee at least 12 months prior to the event, or at least 1 month before the start of the current year's National Championship in order for the details of the Championship to be announced at the closing ceremony of the current year's event. See Article 6.1.2)
- 3.2.** The application must, as a minimum, contain proposals on the following points:
  - 3.2.1.** Year, approximate date within the year, venue, championship waters and eligible species.
  - 3.2.2.** Justification for the approximate date, venue and championship waters, including comments on the quality of the fishing.
  - 3.2.3.** Fishing styles to be included (e.g. river, dry fly; small still-water, bank fishing etc.)
  - 3.2.4.** Estimated participation costs for competitors and guests.
- 3.3.** Each SAFFA championship must be authorized by the SAFFA Executive Committee.
- 3.4.** The SAFFA Competitions Officer or his representative is required to approve the venue and competition waters preferably 6 months in advance in order to verify that they meet all the necessary conditions for a SAFFA championship.

### **4. CHAMPIONSHIP PROTOCOL**

- 4.1.** All SAFFA authorized championships will be conducted in accordance with the FIPS-Mouche & Olympic ideal.
- 4.2.** All SAFFA National Championships must have an opening ceremony.
- 4.3.** All SAFFA National Championships (but not necessarily other championships) must also have a closing ceremony which will feature the presentation of the gold, silver and bronze medals to both the team and individual champions, the announcement of the host members and venue for the following years Championship, followed by the declaration of the close of the Championships.
- 4.4.** All Members must, when appointed to organize National, or Provincial competitions, present a declaration to the SAFFA President or his appointed



representative which shall state that SAFFA & FIPS-Mouche Competition Rules and C.I.P.S. Statutes will be applied.

## **5. MEMBER PROVINCE CHAMPIONSHIPS**

**5.1.** Members of SAFFA are at liberty to sanction championships in their own Provinces.

## **6. ORGANISATION OF CHAMPIONSHIPS.**

**6.1.** The host Province organization is responsible for the following

- 6.1.1.** Submitting the provisional budget for the event on the occasion of the visit of the SAFFA Competitions Officer (Article 3.4 refers).
- 6.1.2.** Providing to all SAFFA members, at the time of the previous championship, details of the proposed venue, championship waters, dates, eligible species, fishing methods and all other relevant information along with a formal invitation to participate in the championship.
- 6.1.3.** Appointing a suitably qualified and experienced Tournament Director to manage the preparations for, and running of, the championship.
- 6.1.4.** Selecting and training sector judges and controllers who will uphold the Olympic ideal of fair and honorable sportsmanship and submitting, for the approval of the Executive Committee, a written summary of the arrangements for their selection, appointment and training. This document must be submitted 1 (one) month before the start of the championship.
- 6.1.5.** Producing computer-based programs for the random draw for beats and/or boats and for results, if an effective SAFFA program has not been supplied 1(one) month before the start of the Championship.
- 6.1.6.** Submission of an up-to-date budget for the event to the Executive Committee of SAFFA within 4 (four) months of the first announcement of the participation cost for the Championships.
- 6.1.7.** Submission of full accounts of the event to the Executive Committee of SAFFA, at the latest 1 (one) month after the conclusion of a championship.
- 6.1.8.** Development and application of any anti-doping regulations and testing for the championship, as required (Article 39 refers).



## **7. COMPETITION RULES AND MODIFICATIONS.**

- 7.1.** In all championships authorized by SAFFA, these Competition Rules apply, except when otherwise specified within these rules or changed in Rule Modifications to take account of the laws, regulations, practices and particular needs of the host venue.
- 7.2.** Any changes arising from the application of Article 7.1 must be included in the Rule Modifications.
- 7.3.** A draft of the Rule Modifications must be prepared during the visit of the Competition Officer (Article 3.4 refers) and finalized within one month of the visit for submission to the Executive Committee.
- 7.4.** The Executive Committee must review, modify if considered necessary and approve the Rule Modifications ideally not later than 2 (two) months prior to the event.
- 7.5.** The SAFFA Competitions Officer must send the Rule Modifications to all members within 1 (one) week of their approval by the Executive Committee.
- 7.6.** Last minute changes to the Rules Modifications may only be initiated by the Championships Organizer and the Senior SAFFA Representative present at the championship. Both parties should agree to the necessity of any last-minute change. (i.e force majeure, extreme water levels, safety, pollution, ...etc.).

## **8. MEDICAL AND INSURANCE COVER.**

- 8.1.** The host organization must arrange adequate medical assistance and liability insurance cover during the official competition period.
- 8.2.** Member Associations are responsible for providing adequate health, travel, and any other insurance for their teams.

## **9. BANK FISHING COMPETITIONS.**

- 9.1.** Competition waters must be divided into five sectors, identified by name, if possible, and by Roman numerals I, II, III, IV and V and colour coded. The number of sectors have to correspond with the number of competitors in a team (12.3 applies)
- 9.2.** The beats within sectors must be numbered consecutively starting from the upstream boundary in running waters. On still waters, the beats must be



numbered clockwise. On still waters the beats shall be marked with the strips of a warning tape on both sides, that determine also the virtual boundary lines in a water. There must be the same number of beats within each sector as the number of participating teams.

- 9.3.** It shall be the prime objective of the host Province to provide all competitors with equal fishing opportunities. They shall insure that no competitor is either advantaged or disadvantaged by the quality of the beat allocated. In any case beats shall be a minimum length of two hundred meters on running water and one hundred meters on still waters. Ideally, each beat will have a minimum buffer zone of ten meters on each side.
- 9.4.** The beats shall be selected in the way that will provide conditions for the controllers to maintain continuous visual contact with the competitor. The controllers shall be adequately equipped for this purpose (binoculars, rubber boots or waders, safety equipment if necessary). In case there is an island within boundaries of a beat, the controller may be directed to perform his duties from the island to ensure a permanent visual contact with his/her competitor. Controller must enter the island not later than 30 minutes prior to the start of the session, making sure the fishing water is not disturbed. Controller remains on the island for the duration of the session.
- 9.5.** The organizers are responsible for marking all beats on all of the sectors, and if possible, safe places for spectators to follow the competition.
- 9.6.** A competitor may only cast or fish his flies within the marked boundaries of his beat and he must remain within the boundaries of the beat during the whole competition session. A competitor may not fish from, nor use, any form of bridge during a Competition Session.
- 9.7.** If a hooked fish swims outside the boundaries of the competitor's beat, the competitor may play the fish from inside his own beat and it must also be landed within his beat. If a hooked fish swims into the adjacent beat, and the angler in that beat does not object, then the competitor may play the fish from inside his own beat and it must also be landed within his beat. If the angler in the adjacent beat does object, the competitor has a maximum of five minutes to bring the fish out of the adjacent beat.
- 9.8.** During a championship session, bank fishing; wading allowed, only the competitor may enter the water within the boundaries of his beat. Bank fishing means that there is always contact with the ground or bottom. Deliberately swimming or floating is forbidden.





## **10. BOAT FISHING COMPETITIONS**

- 10.1.** There must be the same number of competitors in each boat.
- 10.2.** Each competitor has the right to be in command of the boat for an equal amount of time. The odd numbered competitor in the draw will have command of the boat for the first half of the session. The even numbered competitor in the draw will have command in the second half of the session.
- 10.3.** The competitor in command of the boat may take all tactical decisions, including: on which seat in the boat each competitor sits; where the boat should be positioned; whether a drogue is used or not. The Controller may at his discretion override any such decision for reasons of safety or of fairness to the competitor(s) in his or in other boats.
- 10.4.** Boats must be launched at least ten minutes before the start of the session to give competitors time to arrive by the start time of the session at a position from which they will commence fishing.
- 10.5.** No boat may approach within fifty meters of another boat from which a competitor is at the time fishing, except for reasons of safety or necessity.
- 10.6.** Competitors while fishing must be seated on the fitted seats but may use a cushion of a maximum depth of ten centimeters (but see Article 10.8).
- 10.7.** Netting of fish must be done by the competitor.
- 10.8.** A competitor may stand only while netting a fish. But, if the competitor has asked the Controller to net the fish, he must remain seated.
- 10.9.** Rule Modifications must give more detail on how boat fishing will be conducted e.g. drifting or anchored boats; whether or not a drogue may be used; the area in which each competitor may cast his flies; the number of competitors per boat; whether or not the competition area may wholly or partly be used for Official Practice; whether competition waters should be divided into five sectors or whether they may be fished by more than one group of competitors at the same time; whether boats should be required to drift with the bows to the left or right.

## **11. DURATION OF EVENTS, SCORING AND PRACTICE SESSIONS.**

- 11.1.** Each SAFFA National Championship must provide at least five different scoring sessions; all other SAFFA championships must provide at least three scoring sessions. In all championships, competitors will have the right to fish an equal number of scoring sessions on each type of fishing.



- 11.2.** Each scoring session must comprise at least three hours of fishing. If, for reasons beyond the control of the competitor, the scoring session amounts to less than the announced period, compensatory time must be allowed.
- 11.3.** The hours for competition will be set by the host organization and included in the Rule Modifications.
- 11.4.** The host organisation is required to provide unofficial practice, for each type of fishing in the competition, on similar waters, for each competitor a few days prior to a championship.
- 11.5.** Competitors must be allowed not less than 30 minutes of preparation time, upon arrival at his beat for each session to assemble rods, prepare leaders, etc. If, for reasons beyond the control of the competitor, the preparation time amounts to less than 30 minutes, compensatory time must be allowed even if it delays the start of the session for this competitor (Article 11.2 refers)
- 11.6.** Scoring shall be recorded on the appropriate SAFFA forms provided by the organizer.

## **12. WHO MAY PARTICIPATE**

- 12.1.** Any member of a SAFFA Member Association who is in good standing with SAFFA, and has paid the membership fee, may participate in SAFFA championships. There can be only ONE team per Member Association at a Senior National Championships.
- 12.2.** Provincial Teams are drawn from the membership of their Provincial organization and who have met the criteria for the selection of the provincial team members as determined by the provincial selection policies.
- 12.3.** Participants may be:
  - 12.3.1.** For Senior, Ladies, Youth and Masters National Championships: A team comprising a maximum of five competitors plus optionally one Reserve and/or one Captain and/or one Manager. For all other SAFFA Regional championships: A team of minimum 2 competitors is required
  - 12.3.2.** An individual. The organizers have to put all individuals into teams called INDIV and if the team does not consist of the required number of anglers, they have to provide anglers, non-scoring, during all competition sessions, to complete the team.



### **13. TEAM REQUIREMENTS.**

- 13.1.** The names of the members of each team must be communicated to the Organizer, at least thirty days prior to the event, accompanied by a certificate from the Member Association stating that all team members comply with the conditions specified in Article 12.2.
- 13.2.** Any subsequent changes to a team must be presented to the Tournament Director, with an appropriately amended certificate of eligibility, at registration and before the final draw at the first captains meeting. At the final draw, the team list will be locked allowing no additional changes.
- 13.3.** Reserves: A team may have only one designated reserve. The team member designated as the reserve at registration may be substituted for a competitor. After being substituted, the original competitor may be reinstated for a subsequent session in the same group as he was originally assigned to (I.E. Group A-E). Competitors may not change groups.
- 13.4.** The team captain must notify the Tournament Director, or his representative, of any substitution in writing at latest thirty minutes prior to the start of a competition session.
- 13.5.** A reserve may not fish on a sector that he has already fished in any previous session. He may do this only with the explicit authorization of the senior representative of SAFFA present at the championship, and only for emergency substitution of a team member. This exception to policy must be justified in writing by the team captain at least thirty minutes before the start of the competition session. The team captain must advise the competitor accordingly.

### **14. OBLIGATIONS OF COMPETITORS.**

- 14.1.** Participants in competitions authorized by SAFFA must respect the Competition Rules and Rule Modifications.
- 14.2.** Out of courtesy to the host organization, and any event sponsors, all team registrants are required to attend all official functions listed in the final official program.
- 14.3.** It is the responsibility of each competitor to take all appropriate safety measures, including the wearing of eye protection and life preserving equipment.
- 14.4.** Each team member, including the captain/acting captain, must wear a visible identification card or badge throughout every competition session. It must be supplied by the host organization.



- 14.5.** Each competitor is required to initial /sign his scorecard after every registered catch. Each competitor is responsible for checking the accuracy of his score card and for confirming this by signing it at the end of each session. After signing the score card will become a final official document.
- 14.6.** Any competitor who, during a competition session, requests advice (except from his captain) relating to the fishing or accepts any material help relating to the fishing will be disciplined. If anyone involved with a team, other than its captain, communicates with a competitor during a competition session, this will be considered as a case of the competitor requesting advice relating to the fishing.
- 14.7.** Each competitor must observe the principles of the SASACC Anti–Doping Code and all anti-doping regulations set up for the Championships.
- 14.8.** A Competitor is responsible for his equipment, and once a session has started, he is the only person to handle it and moving it within the boundaries of the beat during the entire competition session.

## **15. TEAM CAPTAINS.**

- 15.1.** The team captain is responsible and accountable for the conduct of team members throughout the championship. The Team Captain is responsible for training his competitors on the FIPS Mouche Rules and Rule Modifications.
- 15.2.** An acting captain may be appointed by the original captain informing the Tournament Director or his representative a minimum of thirty minutes prior to the start of a championship session.
- 15.3.** During a championship session, a team captain may move freely in the beats of his team members but he must not enter the water.
- 15.4.** A team captain may enter the beat of a competitor of another team only to gain access to the beat of his own team member and only on condition that his presence does not disturb the waters or the activities of a competitor from another team.
- 15.5.** During a boat fishing session, the team captain will not have access to team members, nor have the right to communicate with them.
- 15.6.** During a championship session, the team captain is the only person (other than competition officials) allowed to communicate, in any way, with a competitor. It is the responsibility of team captains and competition officials to identify themselves to controllers before communicating with competitors during a competition session.



**15.7.** During a championship session, the team captain may not give material help to any competitor.

**15.8.** A team captain/manager may also act as a competitor or as a reserve, providing he was registered for these functions before the final draw of the competition.

**16. JURY.**

**16.1.** A jury must be formed at the first captains' meeting.

**16.2.** The jury will consist of:

**16.2.1.** The senior representative of SAFFA;

**16.2.2.** The Tournament Director

**16.2.3.** Three representatives, elected by the meeting from nominations made by the members present. The team captain of the host province may not be nominated.

**16.3.** All available members of the SAFFA Executive Committee.

**17. DUTIES, RESPONSIBILITIES AND POWERS OF THE JURY.**

**17.1.** It will be the duty and responsibility of the Jury to:

**17.1.1.** Review any reports of infractions and take any appropriate action.

**17.1.2.** Receive any formal written protest, accompanied by R500.00 (Five Hundred Rand), and take any appropriate action.

**17.1.3.** Report any Jury actions to the SAFFA Executive Committee.

**17.2.** Disciplinary measures are:

**17.2.1.** Warning

**17.2.2.** Censure

**17.2.3.** Disallowing all or part of a competitor's catch

**17.2.4.** Disqualification of a team or individual



**18. SECTOR JUDGES.**

- 18.1.** In all competitions, there must be a sector judge for each of the sectors or groups of competitors.
- 18.2.** The arrangements for ensuring that sector judges are knowledgeable, competent and conversant with these Competition Rules, and any Modifications, are to be reviewed and approved by the SAFFA Competition Officer (Article 6.1.4 refers).

**19. DUTIES AND RESPONSIBILITIES OF SECTOR JUDGES.**

- 19.1.** Sector judges are responsible for the proper conduct of the competition within their sector or group of competitors.
- 19.2.** Sector judges are responsible for supervising the training of all controllers in their sector and accepting only those who are properly qualified.
- 19.3.** Sector judges are responsible for the supervision of the controllers to ensure that they are keeping accurate records and are enforcing the observance of the Competition Rules and their Modifications.
- 19.4.** Sector judges are responsible for assisting controllers in rule interpretation if there is any doubt about a possible infraction of the Rules or the Rule Modifications. If the sector judge has difficulty with rule interpretation, he shall ask the Tournament Director for advice.
- 19.5.** Sector judges are responsible for supervising the recording of suspected infractions of the Rules or Rule Modifications and reporting them to the Tournament Director.

In the event of a formal protest, the sector judge involved is required to assist the Jury by gathering information to resolve the protest.

- 19.6.** Sector judges are responsible for ensuring that no person, other than the team captain, has access to competitors during competition sessions. All observers should be kept well away so that they do not interfere or communicate with competitors.
- 19.7.** Sector judges may have other duties assigned to them by the Tournament Director.



## **20. CONTROLLERS.**

- 20.1.** Controllers will be responsible for no more than two competitors at any one time.
- 20.2.** For Boat Fishing competitions in the absence of a controller on the boat the competitors act as each other's controller.
- 20.3.** Controllers will be responsible and accountable for accurately recording on the competitor's scorecard (SAFFA approved template shall be used) details of each eligible fish, including the length to the nearest millimetre and the time of capture. The Controller must cross out all unused portions of the scorecard at the end of the session. He must ensure that the Competitor signs the scorecard at the end of the session. The controller will ask the competitor if he wishes to take a picture of his scorecard for later reference. After a signature by the Competitor the scorecard will be given to the Sector Judge. A water-resistant form (if practically possible) shall be provided by the Organizers and used by the controller.
- 20.4.** A controller must measure each fish handed to him by the competitor, and he does not have the authority to release a fish before measurement.
- 20.5.** In case of a dispute, the controller must keep material evidence for presentation concerning (size, species etc.) eligibility. A dispute regarding a fish must be recorded on the competitor's score sheet.
- 20.6.** Controllers are not allowed to enter the water during a bank fishing competition session (Clause 9.4 refers). Exceptions to this rule are possible, but must be justified.
- 20.7.** Controllers will be responsible for warning competitors if any violation of the Competition Rules and their Modifications. A verbal warning must be the first course of action, except for serious violations or repeated offenses.  
  
Controllers must record (in writing) any serious infraction of the Competition Rules or their Modifications and report this information to the sector judge immediately, but no later than after the session has ended. The controller should record a rule infraction on the competitor's scorecard if possible or on a separate piece of paper.
- 20.8.** Controllers may have other duties assigned to them by the Tournament Director or by the sector judge.
- 20.9.** The arrangements for ensuring that controllers are knowledgeable, competent and conversant with these Competition Rules, and any Modifications, are to be reviewed and approved by the SAFFA Competitions Officer (Article 6.1.4 refers).
- 20.10.** Controllers must be provided with a checklist stating the task they are required to perform. Controllers should at least perform following checks: accreditation



badge of competitor, rod length, leader length, fly line diameter, level or tapered down leaders, distance between knots on leaders, distance between flies, no additions on line or leader, correct use of droppers, no barbs on hooks, flies fit to gauge, landing nets.

## **21. RANDOM DRAW FOR BEATS AND BOATS.**

- 21.1.** Before the assignment of beats to competitors, all beats and buffer zones must be clearly defined (if possible by GPS coordinates) and should not be altered during the competition.
- 21.2.** The Computer Draw for beat assignment: The SAFFA computer program, on the secure computer, shall be used to determine the beats/boat numbers assigned to each competitor. The beat of each competitor must be determined by the random draw computer program. Once checked by the SAFFA Representative, this draw will be locked and secured. The random draw is designed to ensure that anglers from the same team will not fish any beat in any sector more than once, nor, if mathematically possible, an adjacent beat (with exception of sub sessions).
- 21.3.** The random draw for boat assignment for each competitor must be decided by a computerized draw, which must minimize the frequency, ideally to nil, with which competitors from the same country will fish (throughout the sessions during the competition) in the same “boat number” during the championship.
  
- 21.4.** The random draw at the Captain’s Meeting:
  - 21.4.1.** At the Captain’s Meeting each Captain shall draw a “Province Number” and a “Group Letter” (colour coded) for each competitor: “A, B, C, D, E”. (A=yellow, B=red, C= Green, D= blue and E=purple). A Group list for each Group shall be given to each Captain immediately after the meeting. Once checked by the Senior SAFFA Representative this draw will be locked and secured.
  - 21.4.2.** First, the Captain of each team will draw a number to select the team number for the Province.
  - 21.4.3.** Then each Captain will draw a Group letter: “A, B, C, (D or E)” to assign each of the team members to a Group, who will then fish together in each sector and form the basis for placings. Other methods of completing the random draw are acceptable if authorized by the Senior SAFFA Representative.
  - 21.4.4.** The beat/boat assignment numbers will be kept confidential before the competition sessions and sealed in the envelopes held by the Senior SAFFA Representative or his designate.
  - 21.4.5.** These envelopes will then be carried by the Sector Judge travelling with their respective groups to the sectors.
  - 21.4.6.** The beat/boat assignment numbers will be announced only upon arrival at the sectors by the Sector Judge or his designated representative.
  
- 21.5.** The boat for each competitor must be decided by a draw, which must minimize the frequency, ideally to nil, with which competitors from the same province fish together in the same boat during the championship.





## **22. CARE OF FISH CAUGHT.**

- 22.1.** If a competitor wishes a fish to score, he must land it in a net (both fish and net in the water at point of netting), immediately transport a netted fish submerged (where possible) and pass the fish in the net to the controller for assessment of eligibility, measurement and recording (Articles 20.3 & 20.4 refer). Once a fish is netted the competitor may not handle it in any way, nor alter the equipment used for capture of this fish. If the competitor does not follow this Article 22.1 his fish will be registered as an invalid catch.
- 22.2.** The Controller is responsible for removing the hook, reviving the fish and releasing the fish and shall take care not to damage the fish in any way. If a fish is hooked in such way that it cannot be easily and safely unhooked, the leader shall be cut as close as is practical to the fish, leaving the hook in the fish. The controller shall then release the fish with the least harm possible.
- 22.3.** When the controller is not able to release the fish in the normal way e.g. due to their inability to access the water, the controller may (for the benefit of the fish) authorize the competitor to release the fish in a suitable place as indicated by the controller.
- 22.4.** If a controller or any other competition official determines that a competitor has negligently injured a fish, that fish will not be scored and the competitor will be penalized the number of points attributable to a fish of minimum valid length. The incident must be reported to the Jury for consideration of further action.

## **23. COMPETITION BOATS.**

- 23.1.** Competition boats must be of equal size, design, structure and power.
- 23.2.** The number of occupants in each boat must not exceed the rated boat capacity.
- 23.3.** Boats must carry life preservers for each occupant and a means of attracting attention in case of emergency.
- 23.4.** When the use of drogues is allowed in the Rule Modifications, the host organization must provide identical drogues for each boat. Should a drogue be lost or become unserviceable, a competitor's drogue may be substituted.

## **24. ELIGIBLE FISH.**

- 24.1.** Eligible fish species and size limits must be specified in the Rule Modifications. For measuring purposes, the length will be from the tip of the nose to whichever part of the tail is specified in the Rule Modifications.



- 24.2.** Only fish hooked in the mouth area, i.e. in front of the rear edge of the gill cover, will be eligible.
- 24.3.** A fish hooked inside a competition session is eligible if it is landed not more than ten minutes after the end of the session.
- 24.4.** For a fish to be eligible, it must also be properly cared for and unharmed by the competitor.
- 24.5.** For a fish to be eligible both landing net and fish must be in the water at the point of netting.

**25. COMPETITION FLY RODS.**

- 25.1.** One conventional fly rod, not less than seven feet six inches/two hundred and twenty-nine centimeters and not more than twelve feet/three hundred and sixty-six centimeters in length, may be used at one time.

Competitors may have spare fly rods with them (carried on their body or bank side assembled), as long as only one line is in the water. However when boat fishing, these must not be assembled nor the reel attached.

- 25.2.** Competitors are responsible for carrying and protecting their own equipment during the competition sessions.

**26. COMPETITION FLY LINES.**

- 26.1.** Any factory made floating, sinking or sink tip lines may be used, except for lead core lines. Every fly line used in a SAFFA competition shall have a minimum coated diameter of 0.55 mm (0.022”).
- 26.2.** Competition fly lines must be a minimum length of twenty-two meters.
- 26.3.** Shooting heads are not allowed.
- 26.4.** Neither sinking nor floating devices may be added to fly lines.
- 26.5.** One single loop is allowed at the end of a fly line, if desired. If a braided or monofilament loop is used to connect the leader to the fly line, the maximum overall length of such connector may not exceed 10 cm.

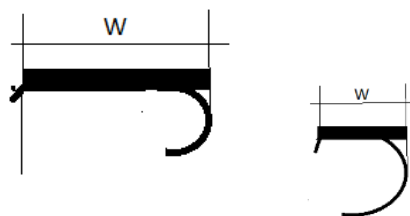


## 27. COMPETITION LEADERS.

- 27.1. A single monofilament or poly leader, tippet included, may be used, with a maximum length of twice the length of the rod used.
- 27.2. Leaders may be knotted or knotless, and continuously tapered down or level. A single loop of max. 10 cm length may only be used to connect a leader to a fly line. If the leader is knotted, the minimum distance between the knots is 30 cm, hanging freely.
- 27.3. Neither sinking nor floating devices may be added to the leader.
- 27.4. A maximum of 3 Micro Rings / Tippet Rings of a maximum outer diameter of 3mm can be used. A maximum of 3 knots can be joined at a micro ring, they are considered as one knot.
- 27.5. A dropper is an equal or smaller diameter monofilament side line to the leader used solely to attach a second or third fly other than the point fly. Only droppers may be used to attach flies whenever more than 1 fly is used by the competitor during that competition. Droppers without fly attached are not allowed. Should a fish break off one of the flies (snagging or double take) during playing the fish this should be seen as “within the rules” and the catch should be registered if eligible.

## 28. COMPETITION FLIES.

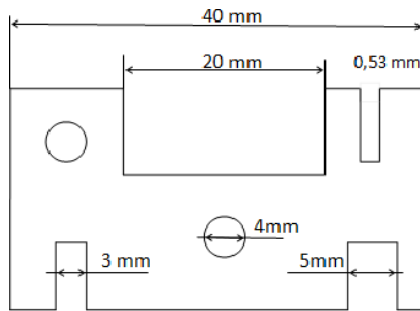
- 28.1. Competitors may use floating or sinking artificial flies.
- 28.2. All hooks must be connected directly to the leader/tippet/dropper.
- 28.3. Weighted flies are permitted, provided the weight is hidden within the dressing and does not extend past the bend or eye of the hook. The maximum length of added weight ( $w$ ) is the distance from the eye of the hook to the farthest point of the bend in the hook.



A single visible bead, not more than 4 mm maximum dimension, is also permitted. Painting alone does not constitute dressing.

**28.4.** If one fly is used, the length and width of the dressed fly will be at the discretion of the competitor. (Articles 28.2 & 28.3 apply)

**28.5.** If more than 1 fly is used on a leader, all weighted flies must comply with this measuring gauge



If the hook length fits within the 20 mm horizontal slot, then the maximum body thickness must fit in the 5 mm vertical slot.

The 4 mm round/circular hole is the maximal diameter allowed for a bead

If the hook length is longer than the 20 mm horizontal slot, then the body thickness must fit between the 3 mm vertical slot.

The maximum hook length cannot be longer than 40 mm, the horizontal length of the gauge at its longest part.

Line diameter will be tested in the 0,53 mm slot. The fly line may not fit in.

**28.6.** A maximum of three flies is permitted which must not be closer to each other than 50 (fifty) cm, measured eye to eye, hanging freely. The number of flies allowed will be specified in Rule Modifications.

**28.7.** All flies must be attached to the leader in such a way that neither they nor their droppers move or slide along the leader material.

**28.8.** All flies must be dressed on barbless single hooks, tandem flies are not allowed.

**28.9.** If the equipment used and/or flies used are assessed by the controller as repeatedly causing excessive harm to the fish, the use of such flies/equipment may be disallowed by the controller (after agreement by the Sector Judge).

**28.10.** Attractor chemicals and the use of light emitters in flies are forbidden.

**28.11.** Appendages that alter the original concept of an artificial fly or bodies made of moulded/shaped plastic, moulded/shaped silicone or moulded/shaped rubber are banned (moulded/shaped imitations of worms, eggs, baitfish, maggots, twisters...). Rubber or extruded round material, exceeding the bend, shank or eye of the hook is not allowed with exception of maximal diameter 0,53 mm used for leg imitations (diameter shall be checked with measuring gauge unstretched).

**28.12.** Moulded, extruded or shaped solid part of the fly, made of any floating or air-containing material, are not allowed as a visible strike indicator. (Bung)

## **29.** LANDING NETS.

**29.1.** The mesh material of a landing net must be rubber/silicon (preferred) or a non-abrasive synthetic or soft cotton material. Nets must be of knotless construction.

**29.2.** Landing nets must not exceed forty-eight inches/one hundred and twenty-two centimeters in overall length, when fully extended.



### **30. PROHIBITIONS.**

#### **30.1. The following are prohibited:**

- 30.1.1.** The fishing of competition sectors by competitors or their agents during a period of Thirty days prior to the official start of the event.
- 30.1.2.** Unethical, rude behavior, lack of sportsmanship towards other competitors, organizers or officials.
- 30.1.3.** Any action by competitors, organizers or officials which would produce fraudulent or biased results.
- 30.1.4.** The use of cell phones, radio or any other electronic communication methods by competitor during a competition session to relay team information.
- 30.1.5.** The use of cell phones, radio or any other electronic communication methods by controllers during a competition session, except on request of the competitor to solve disputes on rules or for safety reasons.
- 30.1.6.** The use of cell phones, radio or any other electronic communication methods by competitor during a competition session to relay team information.
- 30.1.7.** A competitor, during a competition session, requesting advice relating to the fishing from anyone (other than his captain).
- 30.1.8.** A Competitor accepting material help relating to the fishing from anyone.
- 30.1.9.** The use by a team member of a fish/depth finder during a championship.
- 30.1.10.** Use of any prohibited substance(s) constituting doping, according to the anti-doping regulations set.

### **31. LOST FISH.**

- 31.1.** In the event of the loss of a fish by a controller before measurement, the competitor will be awarded the average of the points for all valid fish taken in that sector in that session.
- 31.2.** A fish lost in boat fishing while the controller is netting the fish, at the competitor's request, will not be recorded on a competitor's scorecard nor be awarded any points



### **32. AWARDING OF POINTS.**

- 32.1.** For each eligible fish caught, a competitor will score points. The value will be defined in the Rule modifications of each championship.
- 32.2.** In addition to Article 32.1., competitors will also receive points per centimetre length of each eligible fish, or per centimetre above the defined minimum size. The recorded length will be rounded up to the next complete centimetre for scoring purposes. The value will be defined in the Rule modifications of each championship.
- 32.3.** An under-sized fish (under the eligible size limit) is not eligible to be scored and should not be recorded on a competitor's score card.
- 32.4.** The Rule modifications must specify which scoring system will be used.

### **33. SESSION PLACINGS.**

- 33.1.** All competitors will receive a placing in their group according to the points they obtain on each sector and for each session of a championship
- 33.2.** A competitor who fails to make a valid catch in any session will be awarded a placing equal to the number of competitors in the sector for that session. The same placing will be awarded to any competitor who fails to participate for any reason.
- 33.3.** Any competitor who is forced to retire for any reason from a session of a championship shall have his catch up to that time included in the results. His score card needs to be documented at time of departure and signed.
- 33.4.** Any incomplete team will be awarded a placing equal to the number of teams in a sector for each session for which a team member is absent.
- 33.5.** If there is a tie between competitors in the same sector and session in the number of points received, the tie breaker will be the largest number of valid fish caught. If the tie persists, the competitors will receive equal placings and the placing(s) immediately following will be left blank.

### **34. TEAM AND INDIVIDUAL POSITIONS.**

- 34.1.** The positions of teams and individuals will be determined as follows:
  - 34.1.1.** Teams: The first position will be awarded to the team with the lowest cumulative number of placings of all its team members, and similarly for all other positions.



- 34.1.2.** Individuals: The first position will be awarded to the individual with the lowest cumulative number of placings, and similarly for all other positions
- 34.2.** A reserve who fishes any sector more than once will not be eligible to be awarded any individual position within a championship, although his placings will be included in the calculation of team results.
- 34.3.** If there is a tie for positions between teams or individuals, the first tie breaker will be the largest number of points received, the second will be the largest number of valid fish caught, and the third will be the largest fish.
- 34.4.** If the tie persists, the tied teams or individuals will be awarded equal positions and the position(s) immediately following will be blank.
- 35. POSTING OF RESULTS.**
- 35.1.** The Tournament Director must announce, at the first captains' Meeting, the location for the posting of results.
- 35.2.** The session results, including individual and team positions, must be posted within three hours of the end of each session.
- 35.3.** The daily and cumulative results for both individuals and teams must be posted within three hours of the end of the last session each day.
- 35.4.** The final results including the individual and team positions must be posted within three hours of the close of the final session.
- 35.5.** A delay in the posting of results may occur in the event of an unresolved dispute/ protest during a particular session(s). In such a case, resolution will occur as soon as possible. A possible change in previous score postings may occur after resolution.
- 36. POSTED RESULTS AND OBJECTIONS.**
- 36.1.** The results of both sessions of the competition day will become final on the following day at 09:00, with the exception of the results of the last competition session, and final results of the Championship, which will become final 2 hours after posting.
- 36.2.** The time of posting must be clearly marked on the result sheets.
- 36.3.** It is the responsibility of team captains to inspect the posted results.



- 36.4.** If there are no objections, which are subsequently sustained, within the provisional period, the posted results will stand as final.
- 36.5.** It is the responsibility of team captains to notify the senior SAFFA representative or the Tournament Director of any discrepancy immediately after discovery within the provisional period.
- 36.6.** Only those objections made during the provisional period will be considered by the Jury in rectifying the results. After adjustment, if any, the official results must be signed by the senior SAFFA representative and the Tournament Director and posted.

**37. FORMAL PROTESTS.**

- 37.1.** A formal protest may be made by a competition official, a team or a SAFFA representative regarding violations of the Competition Rules, the Rule Modifications, or the SAFFA Statutes, and unethical or unsportsmanlike conduct or fraud.
- 37.2.** A formal protest must be in writing.
- 37.3.** A formal protest must be made to the senior SAFFA representative, or the Tournament Director, within two hours after the official posting of the results of the final session on the day involved.
- 37.4.** A formal protest on behalf of a team must be made by the team captain or manager.
- 37.5.** A formal protest from a team must be accompanied by a deposit of R500.00 (Five Hundred Rand. If the protest is upheld, the deposit will be returned; otherwise it is forfeited to SAFFA funds.

**38. TITLES AND TROPHIES.**

- 38.1.** The team awarded the first position will be designated the National Team Champion or the Team Champion if it is not a National Championship.
- 38.2.** The National Team Champion or Team Champion will receive any trophy so designated.
- 38.3.** The five competitors, reserve, manager and captain of the team awarded first, second and third positions will receive gold, silver and bronze medals respectively.





- 38.4.** The individual competitor awarded the first position will be designated the Individual National Champion or the Individual Champion if it is not a National Championship.
- 38.5.** The Individual National Champion or Individual Champion will receive any trophy so designated.
- 38.6.** The individual competitors awarded first, second and third positions will receive individual gold, silver and bronze medals respectively.
- 38.7.** There will be no monetary or substantial material prizes in any SAFFA authorized competition.

### **39. ANTI-DOPING REGULATIONS**

- 39.1.** Anti-doping regulations and testing will be developed and conducted by the Host Province of the Championship, in line with the World Anti-Doping Code set up by the World Anti-Doping Agency (WADA), according to the laws, regulations, principles and practices adopted by the National Sport Authorities and the National Olympic Committee.
- 39.2.** All anti-doping regulations, if applicable, will be included in the Rule Modifications for that championship (Article 7 refers)
- 39.3.** All anti-doping testing, if applicable, must be funded from the resources outside of the championships budget.

### **40. LANGUAGE OF THE ORIGINAL TEXT.**

- 40.1.** The language of the original text of these rules is English.

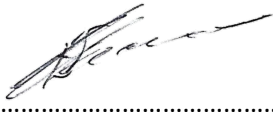


**41. STATEMENT OF APPROVAL.**

The original SAFFA Competition & Fishing Rules were approved at the 4th SAFFA Annual General Meeting dated...13 October 2012... and have been subsequently modified and approved by the SAFFA Executive Committee as follows:

- a) In Cape Town at AGM on 24 August 2013
- b) In Pretoria at AGM 22 October 2016
- c) Via Teleconference at AGM on 16 October 2019
- d) Via Zoom at AGM on 26 August 2023

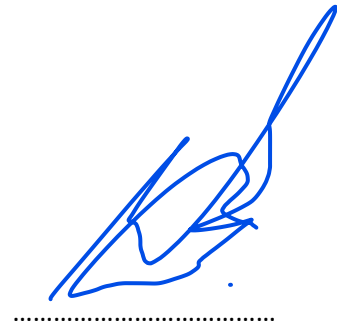
Signed



SAFFA President



SAFFA Secretary



SAFFA Vice- President